

2020 catalog new design



Sichuan JYD building materials Co.,Ltd



目录 Contents

证书及专利 Certificates and Patents P1
检测报告 Test reports P2
卡槽式木门密封条 Groove-type wooden door sealing strips P3-8
磁吸式静音密封条 Magnetic suction silent sealing strip P9-10
包覆式PU发泡密封条 Cladding PU foaming sealing strips P11-12
移门 衣柜门 防撞密封条 Anti-collision sealing strips for sliding doors of the wardrobe P13-16
对开门平开柜门防尘密封条 Dust-proof sealing strip for wardrobe cabinet door P17
EPDM发泡自粘密封条 Self-adhesive EPDM foaming rubber sealing strips P18
铝合金门窗幕墙密封条 Sealing strips for aluminum alloy doors and windows P19-24
淋浴房用磁条、挡水条 Magnetic strips, water resistant strips for shower room P25-28
防火门专用密封条 Fire retardant seals for fireproof doors P29-31
自动升降门底密封条 Automatic drop down door bottom seals P32-39
多功能密封条 Multifunction sealing strips P40
门底密封条 Door seals for top or bottom of the door P41-47
各种软、硬、软硬复合胶条、胶管、型材 Various hard, soft or combined strips, pipes, and profiles P48

卡槽式木门密封条

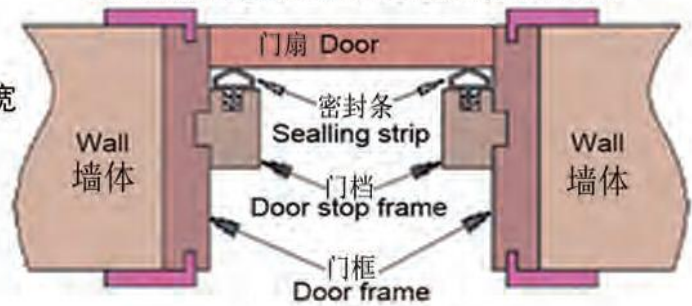
Groove-type wooden door sealing strips

特点：直接将胶条镶嵌在门档处固有槽口里(通常槽口宽度为3mm，深度6mm以上)，胶条不易脱落，经久耐用。

Features: Fix the sealing strips into the groove on the door stop frame (normally the size for the groove is 3mm width and 6mm deep). The sealing strips can be fixed in the groove very firm.

木门门套结构示意图

Schematic diagram of the wooden door structure



常用材质特性(The features of Materials):

一、优质PVC密封条(high quality Polyvinyl Chloride PVC):

PVC价格较低，缺点是硬度随温度变化较大，随着时间的延长会变硬变脆，失去弹性。但是经改性后的优质PVC在耐低温性能方面有较大的提升，使用寿命延长。

The price of PVC is cheaper, the hardness is easy to be changed with the temperature, will become hard and brittle with the extension of time and lose elasticity. But the material we used is modified high quality PVC, there is a great improvement in ltemperature resistance.

二、TPE密封条(Thermoplastic Elastomer TPE):

俗称热塑性弹性体，价格适中。密度小。硬度随温度变化小，回弹性好，在热空气老化性能(70°C x 24h)的条件下，位伸强度变化率为7.59%，拉断伸长变率变化率为21.7%。耐老化性能，耐温性能优于PVC胶条。

The price of TPE is a bit expensive than PVC. Low density, Hardness will not easy to be changed with temperature, good resilience and aging resistance, better than PVC strips.

三、硅橡胶密封条(Silicone Rubber):

成本较高，有突出的耐高温、低温特性，耐臭氧及耐候性能，可适用于高温、寒冷、紫外线照射强烈地区以及中高层建筑。耐老化性能，耐温性能，回弹性能皆优于PVC和TPE密封条。

The price is expensive than PVC and TPE, Excellent temperature resistance, ozone and weathering resistance, Well used for high or low temperature areas, strong ultraviolet-irradiated areas and high buildings.

The aging resistance, temperature resistance and resilience performance are superior to PVC and TPE sealing strips.

常用颜色: (Common colors):



棕色
Brown

深棕色
Dark brown

红棕色
Red Brown

咖啡色
Coffee

白色
White

黑色
Black

灰色
Gray

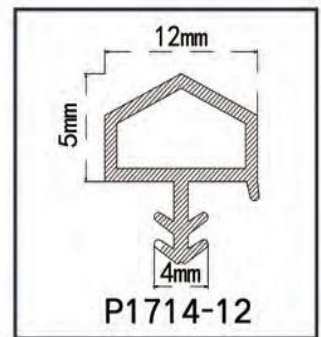
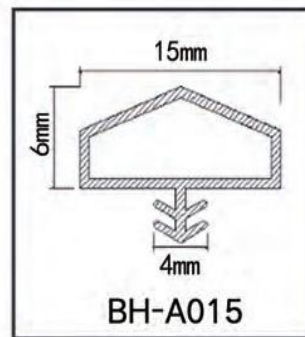
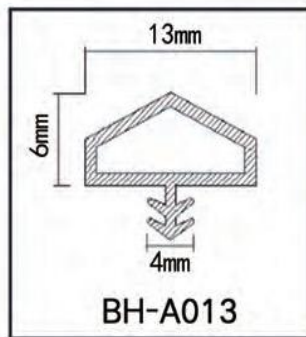
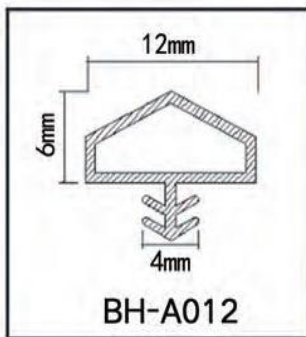
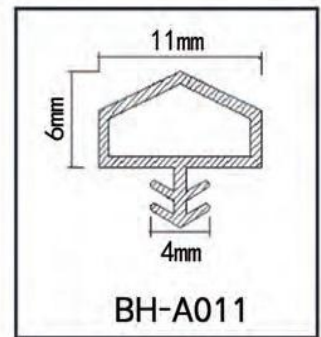
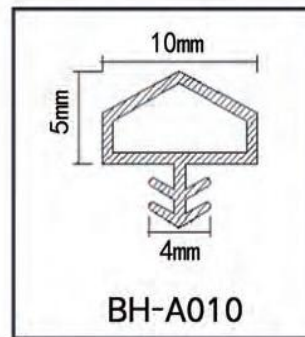
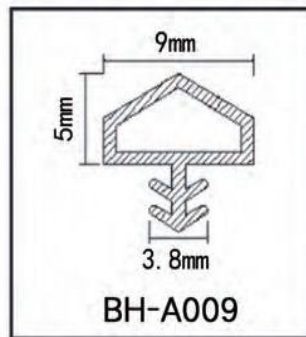
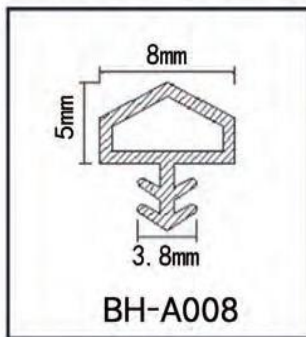
1号黄
1# Yellow

卡槽式木门密封条（屋顶型）

Groove-type wooden door sealing strips (Roof shape)



规格型号：(Specifications):

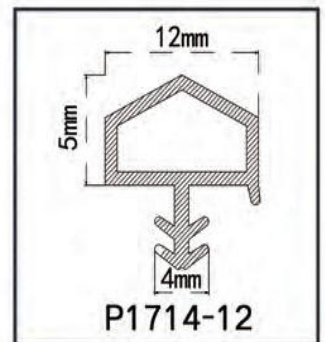
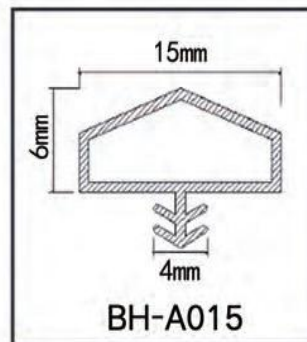
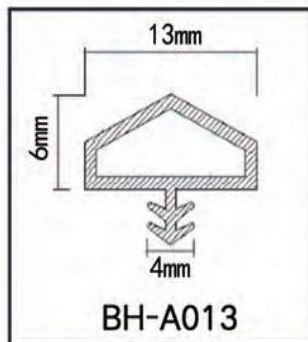
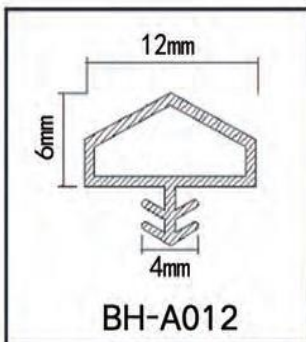
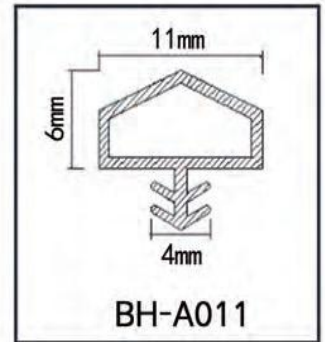
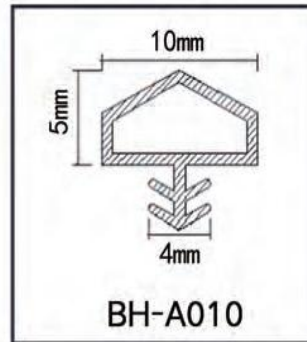
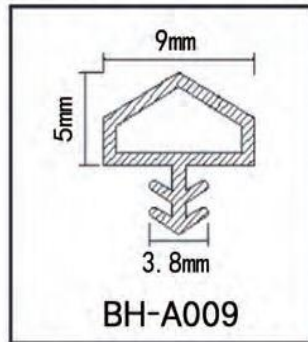
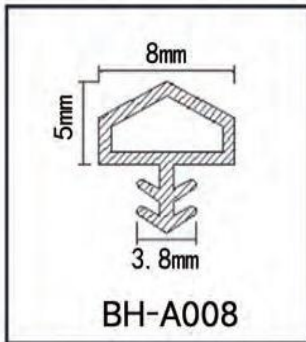


卡槽式木门密封条（屋顶型）

Groove-type wooden door sealing strips (Roof shape)



规格型号：(Specifications):

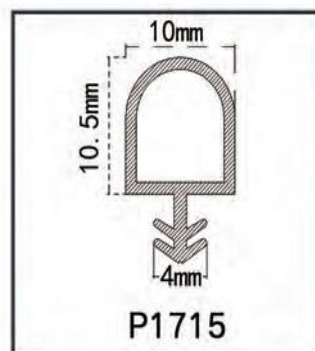
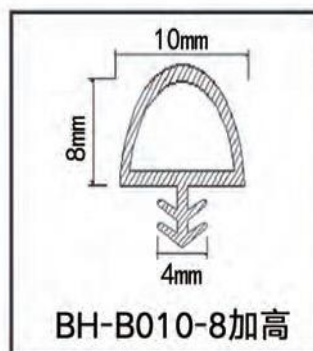
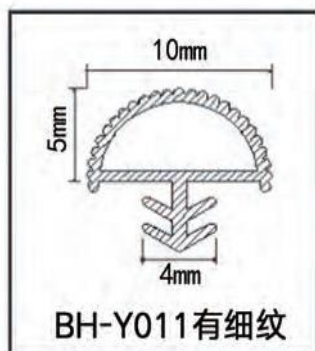
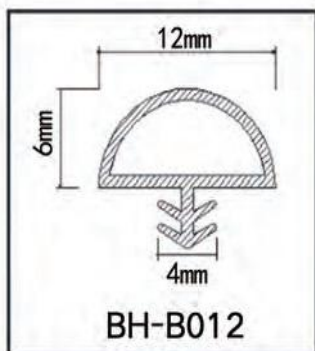
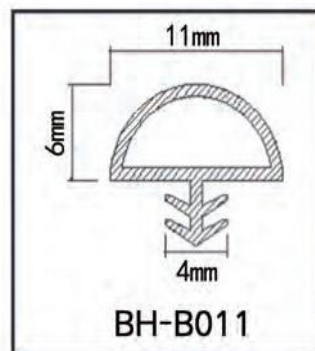
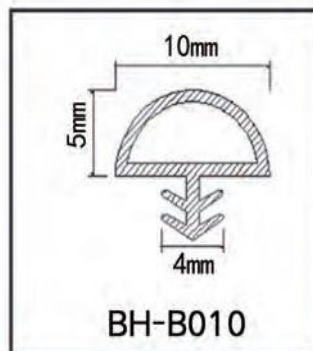
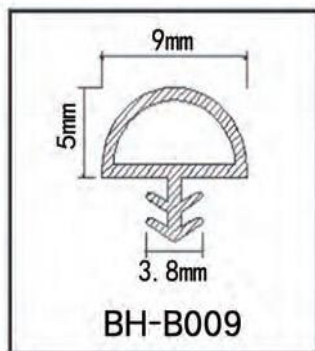
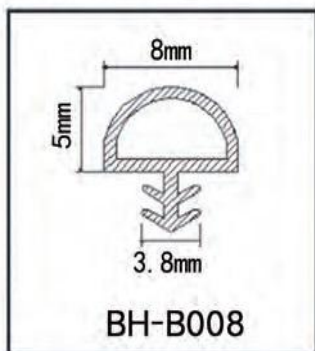


卡槽式木门密封条 (半圆型)

Groove-type wooden door sealing strips (D shape)



规格型号: (Specifications):



包覆式PU发泡密封条-自粘型

Cladding PU foaming sealing strips - self adhesive type

包覆式密封条特点:

高级工程用聚乙烯包膜, 好的耐漆性及耐迁移性, 引人的外观。

抗UV (紫外线), 耐日光及紫外线。

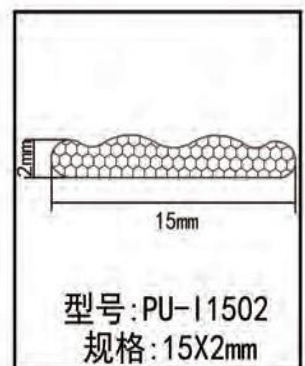
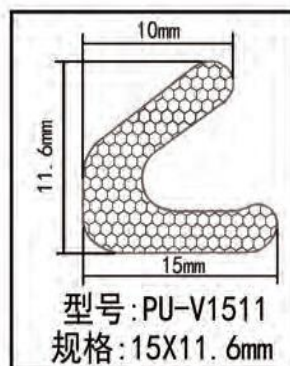
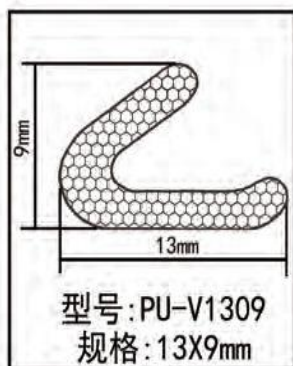
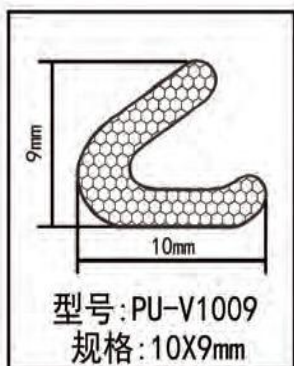
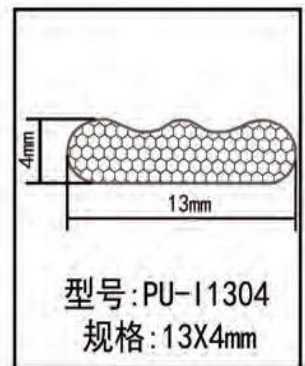
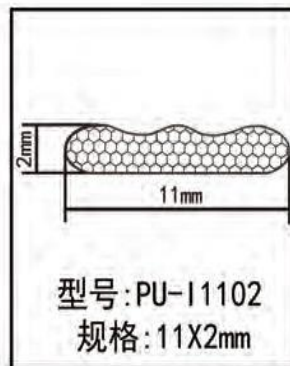
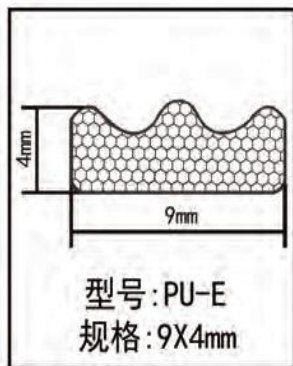
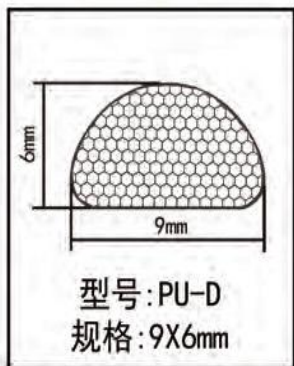
高弹性开孔发泡聚氨酯材料, 长时间保持形状和高弹性, 适合寒冷或高温地区使用。

Features:

High grade engineering polyethylene film, good paint resistance and migration resistance, beautiful appearance.

Anti-UV (ultraviolet), sunlight and ultraviolet.

High elasticity open-cell foamed polyurethane material, maintains shape and high elasticity over a long period of time.



包覆式PU发泡密封条-卡槽型

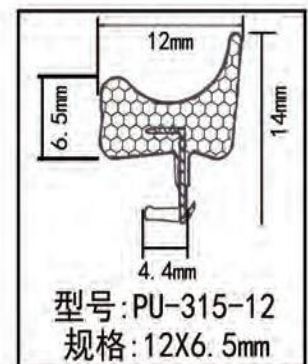
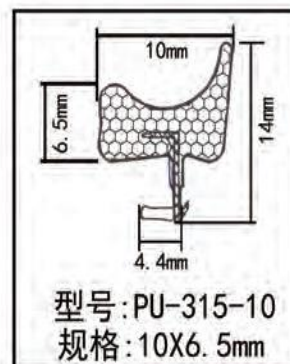
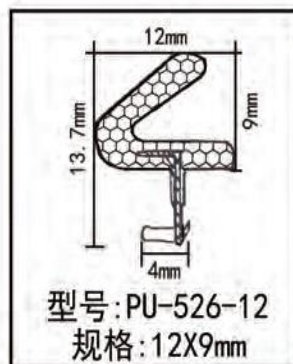
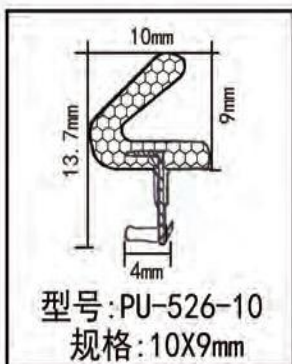
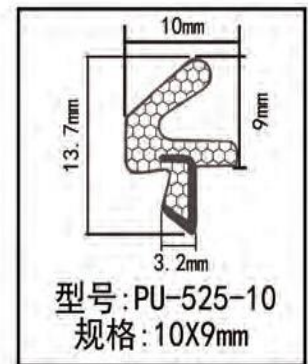
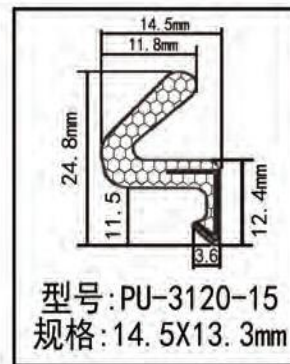
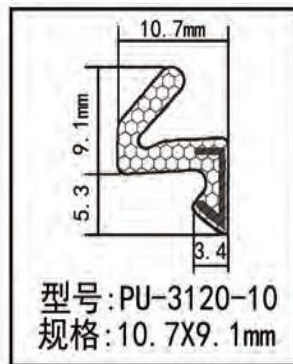
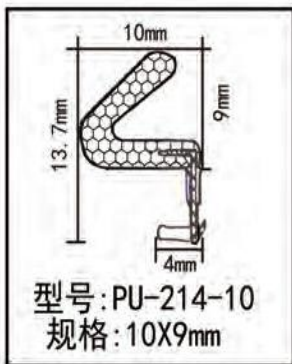
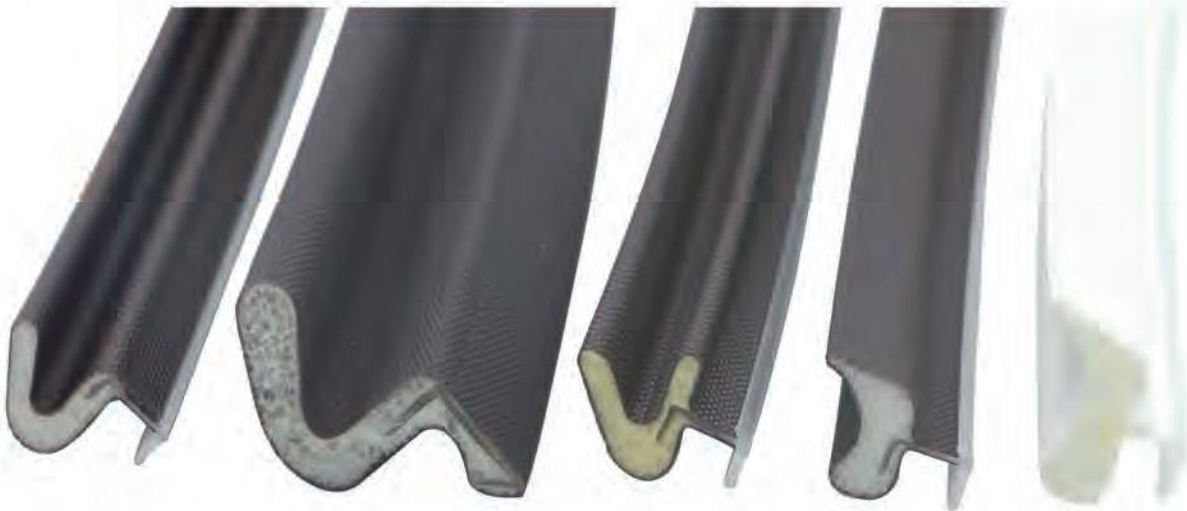
Cladding PU foaming sealing strips - Groove type

包覆式密封条特点:

PU发泡具有良好的弹性, 在较高或较低温的环境下也能很好的保持其性能长期不变;
具有优良的气密性、耐水性、耐油性、耐候性、
耐老化、耐振动疲劳、耐低温、耐盐雾、不霉变、室温固化等特点。

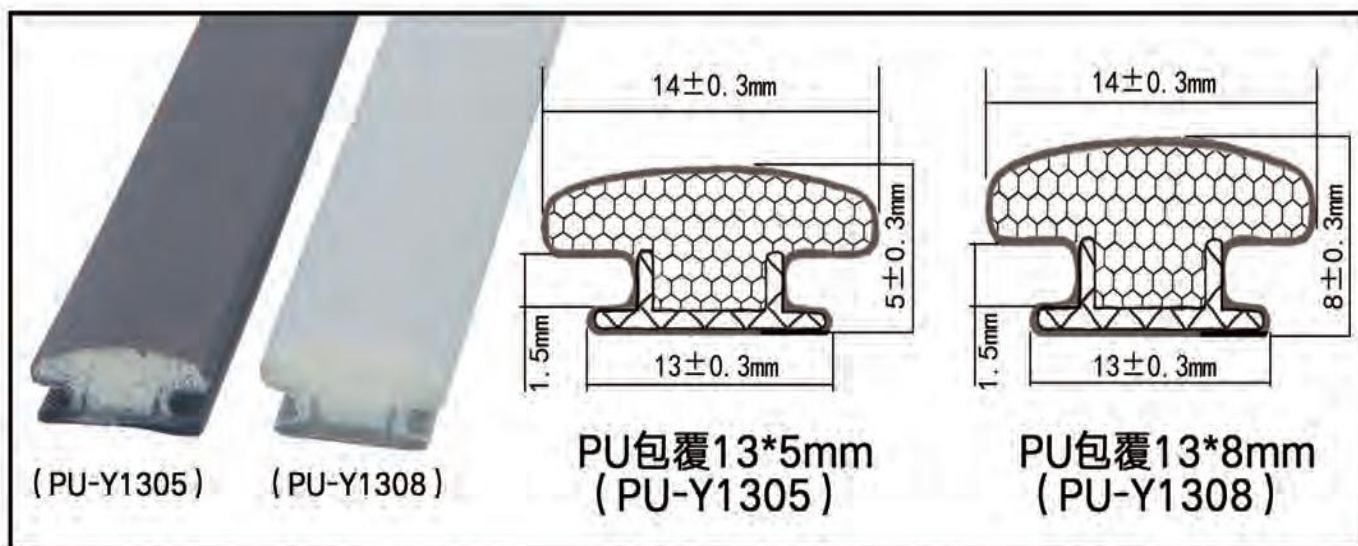
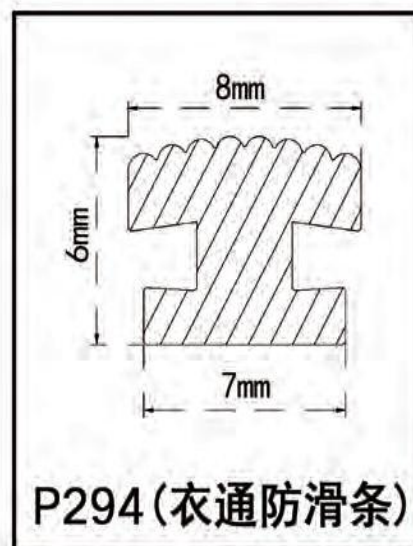
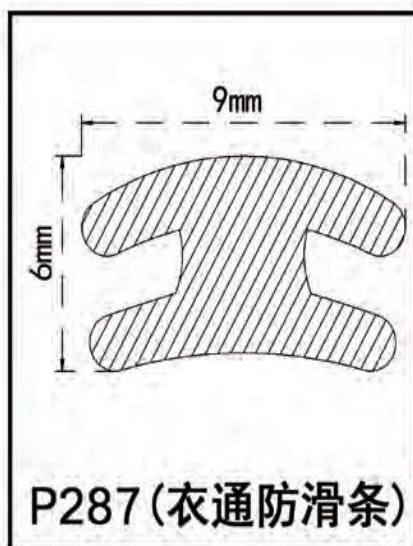
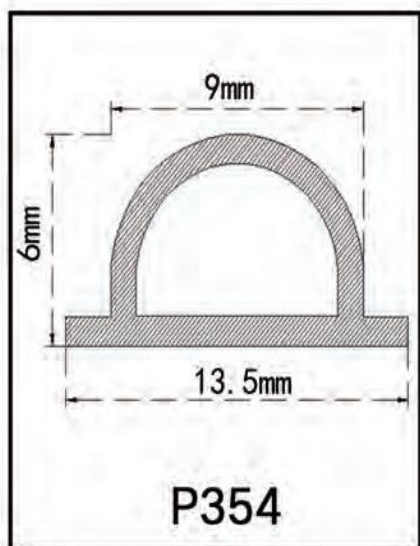
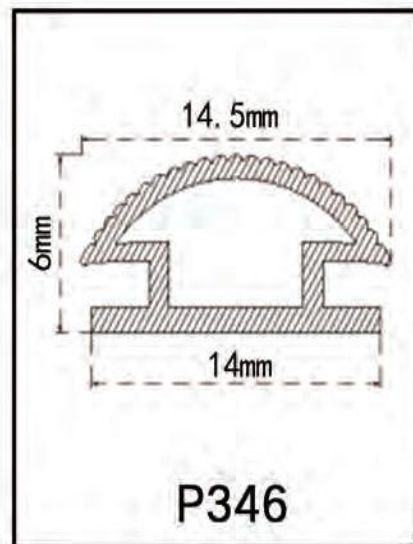
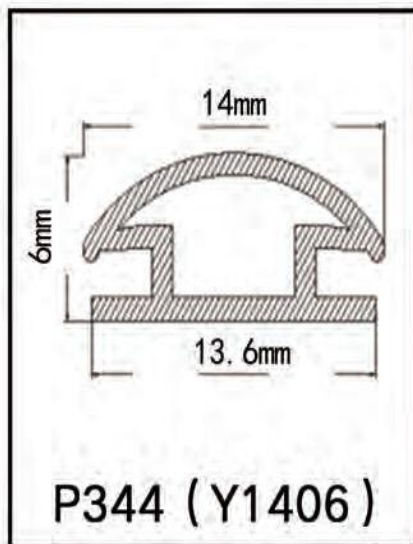
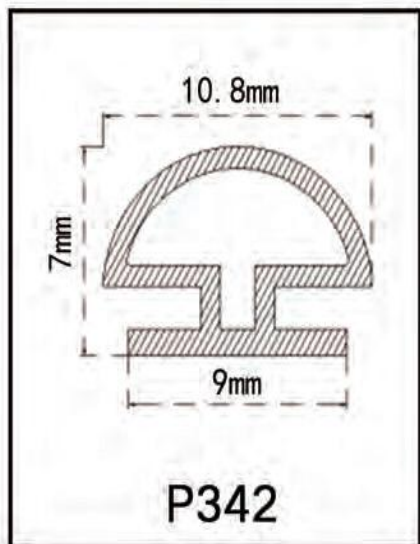
Features:

PU foam has good elasticity, can maintain its performance for a long time in a higher or lower temperature environment. Has excellent air tightness, water resistance, oil resistance, weather resistance, Anti-aging, vibration fatigue resistance, low temperature resistance, salt spray resistance, mildew resistance, room temperature curing and so on.



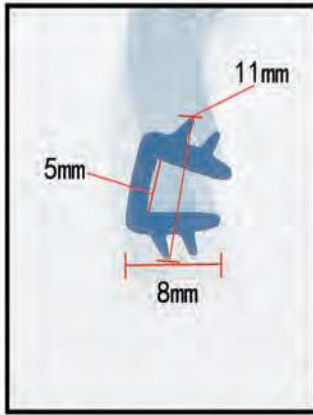
移门 衣柜门 防撞密封条-穿槽型

Anti-collision sealing strips for sliding doors of the wardrobe (Insert type)

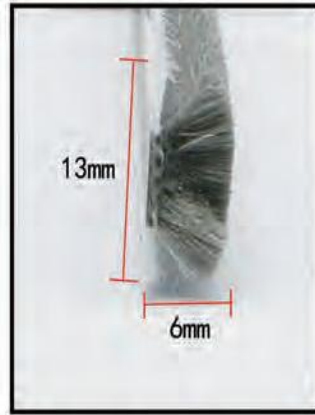


移门 衣柜门 防撞密封条-毛条、磁条

Anti-collision sealing strips for sliding doors of the wardrobe (brush strips, magnetic strips)



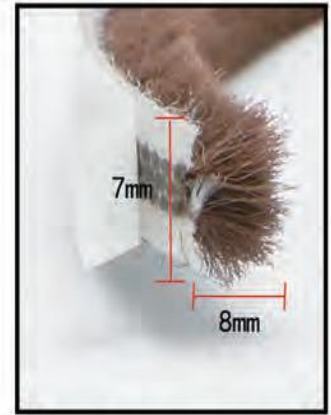
BH-Y0405 透明玻璃卡条
Glass clip strips



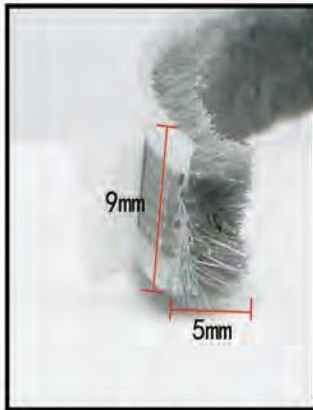
穿槽毛条 13*6mm
Inset brush strips



穿槽毛条 5*6mm
Inset brush strips



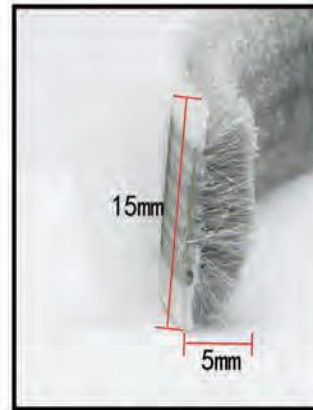
自粘毛条 7*8mm 棕色
Self-adhesive brush strips



自粘毛条 9*5mm 灰色
Self-adhesive brush strips



自粘毛条 9*9mm 棕色
Self-adhesive brush strips



自粘毛条 15*5mm 灰色
Self-adhesive brush strips



自粘毛条 9*15mm 白色
Self-adhesive brush strips

移门、橱柜、玻璃门

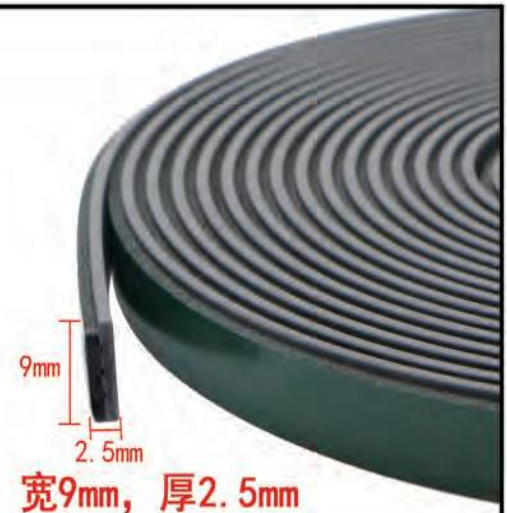
移门磁条，自带背胶，安装方便。用于移门、橱柜等地方即可以起到防撞又可以起到密封作用。

移门关闭，由于磁条的磁力作用而不会弹开，而且磁条是软性材质，同时也起到防撞作用。

移门磁条——既解决移门弹开问题，又能起到防撞密封效果!!!

Magnetic sealing strips, with self-adhesive back, easy to installation. Apply to wardrobe, cabinet and other sliding doors.

Function: Anti-collision and Seal gaps, will not pop open when close the door because of the magnetic effect.



对开门平开柜门防尘密封条

Dust-proof sealing strip for wardrobe cabinet door

1. 主要功能: 防尘、防虫、防潮、防油烟、柜门密封等
 2. 安装方式: 安装方便。安装时量好所需长度。裁切多余部分后, 撕去背胶离型纸将防尘条粘贴到柜门边部即可。

3. 常规长度: 2.4米、2.8米

4. 颜色: 白色、棕色、黑色

5. 材质: 贴胶固定部分为硬质PVC, 密封缝隙部分为软质PVC

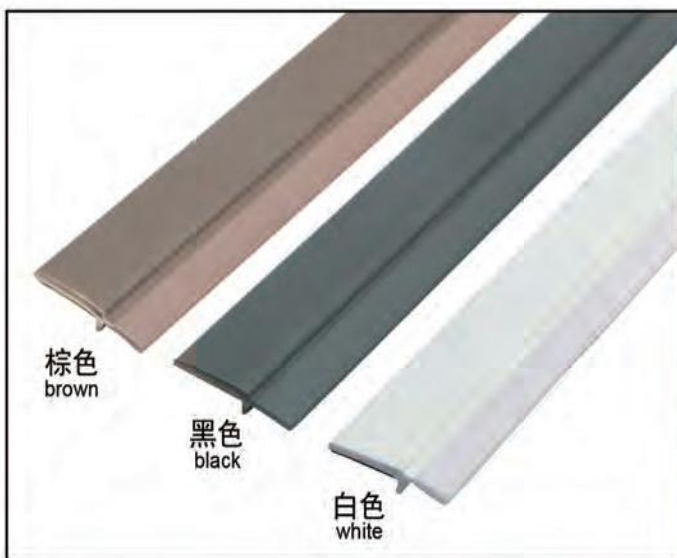
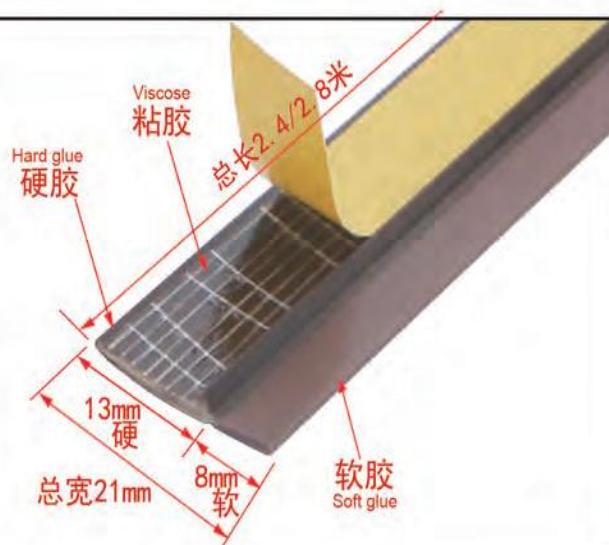
1. Functions: Dustproof, insect proof, moisture proof, smoke proof, cabinet door seal, etc.

2. Installation method: easy to install, measured the required length, cut it based on the length, after cutting the excess, tear the back paper and stick it to the edge of the cabinet door.

3. Regular length: 2.4 meters and 2.8 meters.

4. Color: White, Brown and Black.

5. Materials: PVC Co-extruded. Hard PVC (with sticky part) and Soft PVC (without sticky part)



Step 1
 撕开背胶面纸
 Tear off the backing paper



Step 2
 卡角紧贴柜门边缘扣住
 Clamp the corner close to the edge of the cabinet door



Step 3
 粘贴完成
 Paste finish



Step 4
 密封效果展示
 Sealing effect display

淋浴房磁条、挡水条

Magnetic strips, water resistant strips for shower room

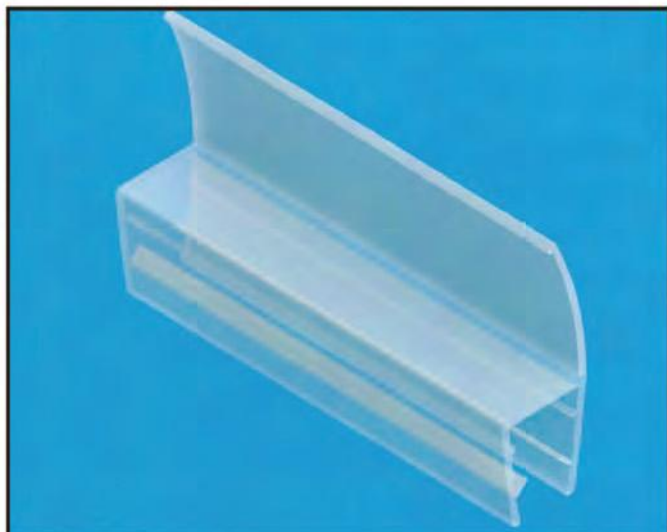


淋浴房：挡水条

Water retaining strips for shower room

注

 硬质PVC (Rigid PVC)
 软质PVC (Flexible PVC)



8003

h形挡水条

h shape water retaining strips

装夹6,8,10,12mm玻璃(全软边6-22mm)

Clamping 6,8,10,12mm glass(The soft side 6-22mm)



8007

半圆防撞胶条

Semicircle anti-collision strip

装夹6,8,10,12mm玻璃

Clamping 6,8,10,12mm glass



8004

全软边挡水条

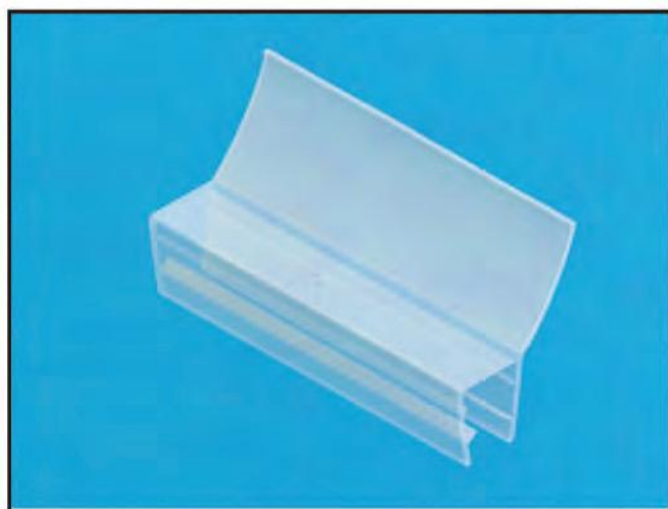
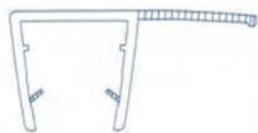
Soft side water retaining strips

8, 10, 12, 16, 18mm全软边

8, 10, 12, 16, 18mm The soft side

装夹6,8,10,12mm玻璃

Clamping 6,8,10,12mm glass



8005

135°软边挡水条

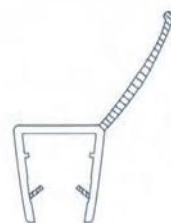
135° Soft side water retaining strips

装夹6,8,10,12mm玻璃

Clamping 6,8,10,12mm glass

17-20mm 软边

17-20mm Soft side



淋浴房：挡水条

Water retaining strips for shower room

注.

-  硬质PVC (Rigid PVC)
-  软质PVC (Flexible PVC)
-  黑色磁条 (Black magnetic strips)



8001

中软边挡水条

Soft side water retaining strips

装夹6,8,10,12mm玻璃(软边4-20mm)

Clamping 6,8,10,12mm glass (soft edge 4-20mm)



8006A

门下挡水条

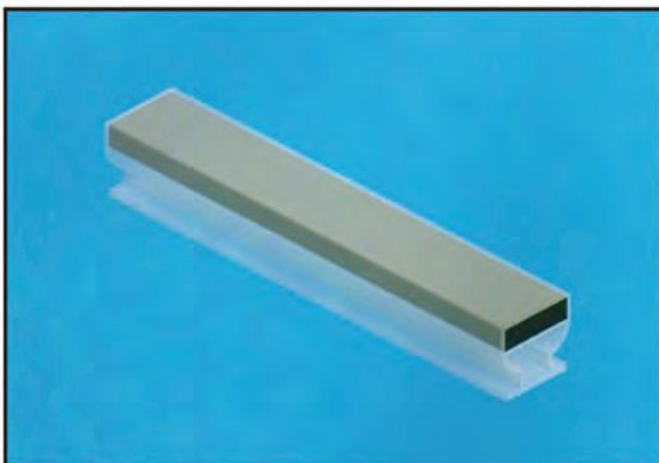
Water retaining strips for bottom of the shower door

装夹5,6,8,10,12mm玻璃

Clamping 5,6,8,10,12mm glass

6-25挡水软边

6-25 Soft part



8008PC

软硬缓冲磁条

soft and hard buffered magnetic strips

规格 8x9, 7x9mm

Size 8x9, 7x9mm

根据铝材大小调节

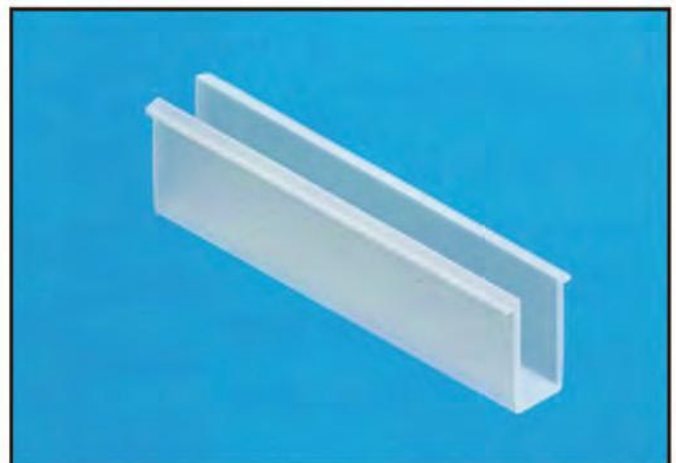
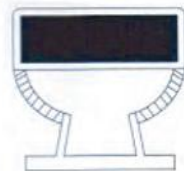
Adjust according to the aluminum size.

使用方法：穿插方式

Method of application: interspersed type

颜色：灰色 白色 黑色

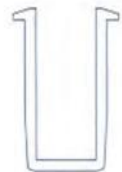
Color: Gray White Black



8-U-2

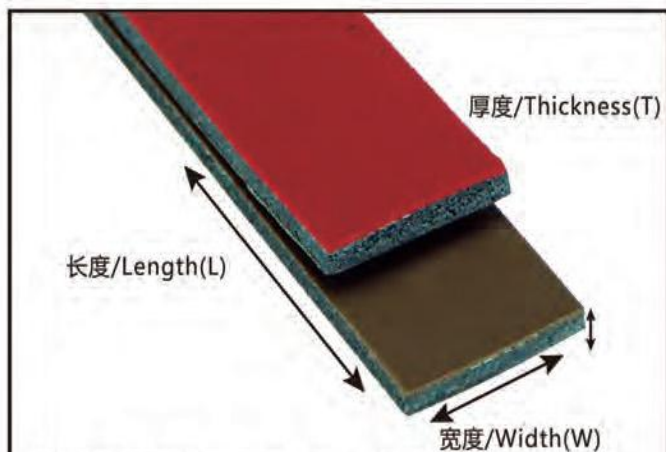
光面U形胶条

Smooth U shape strip



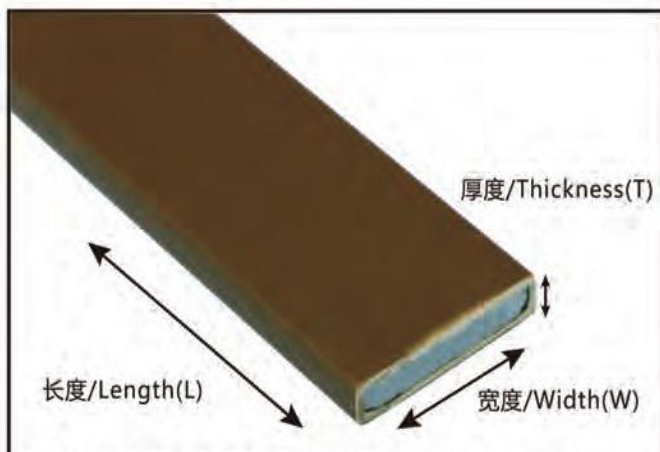
防火门专用密封条

Fire retardant seals for fireproof doors



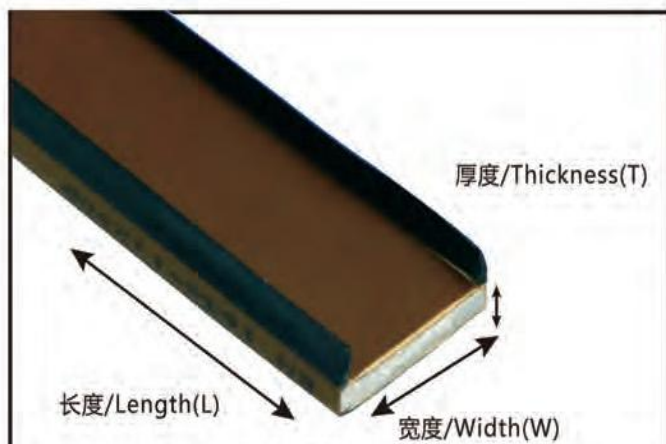
BH-G005 软质 防火密封条 Flexible Fire retardant seals

产品尺寸 (T×W×L)mm	产品尺寸 (T×W×L)mm
2×10×2100mm	2×10×1050mm
2×12×2100mm	2×12×1050mm
2×15×2100mm	2×15×1050mm
2×18×2100mm	2×18×1050mm
2×20×2100mm	2×20×1050mm



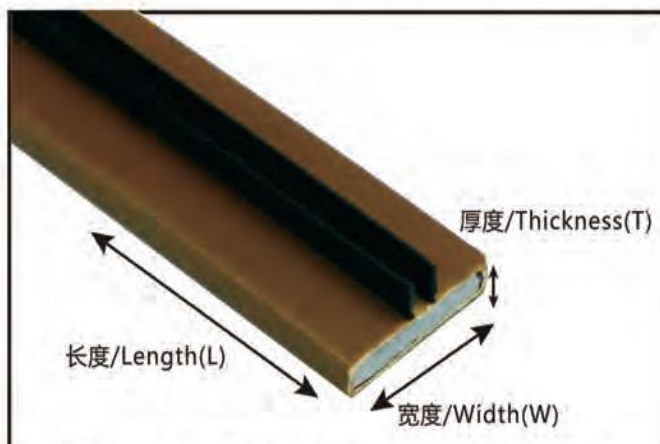
BH-G006 硬质 防火密封条 Hard Fire retardant seals

产品尺寸 (T×W×L)mm	产品尺寸 (T×W×L)mm
4×10×2100mm	6×10×2100mm
4×15×2100mm	6×15×2100mm
4×20×2100mm	6×20×2100mm
4×25×2100mm	6×25×2100mm
4×30×2100mm	6×30×2100mm
4×38×2100mm	6×40×2100mm



BH-G007 硬质 防火隔音隔烟条 Hard Fire retardant seals

产品尺寸 (T×W×L)mm	产品尺寸 (T×W×L)mm
4×10×2100mm	6×10×2100mm
4×15×2100mm	6×15×2100mm
4×20×2100mm	6×20×2100mm
4×25×2100mm	6×25×2100mm
4×30×2100mm	6×30×2100mm
4×38×2100mm	6×38×2100mm
	6×40×2100mm

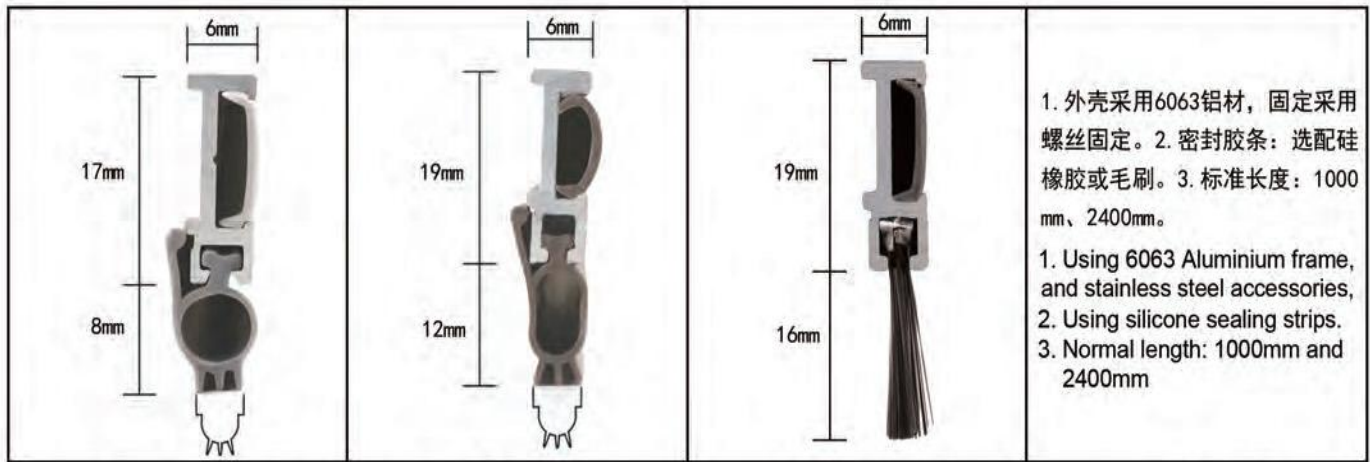


BH-G008 硬质 防火隔音隔烟条 Hard Fire retardant seals

产品尺寸 (T×W×L)mm	产品尺寸 (T×W×L)mm
4×10×2100mm	6×10×2100mm
4×15×2100mm	6×15×2100mm
4×20×2100mm	6×20×2100mm
4×25×2100mm	6×25×2100mm
4×30×2100mm	6×30×2100mm
4×38×2100mm	6×38×2100mm
	6×40×2100mm

多功能密封条

Multifunction sealing strips



BH-M013A

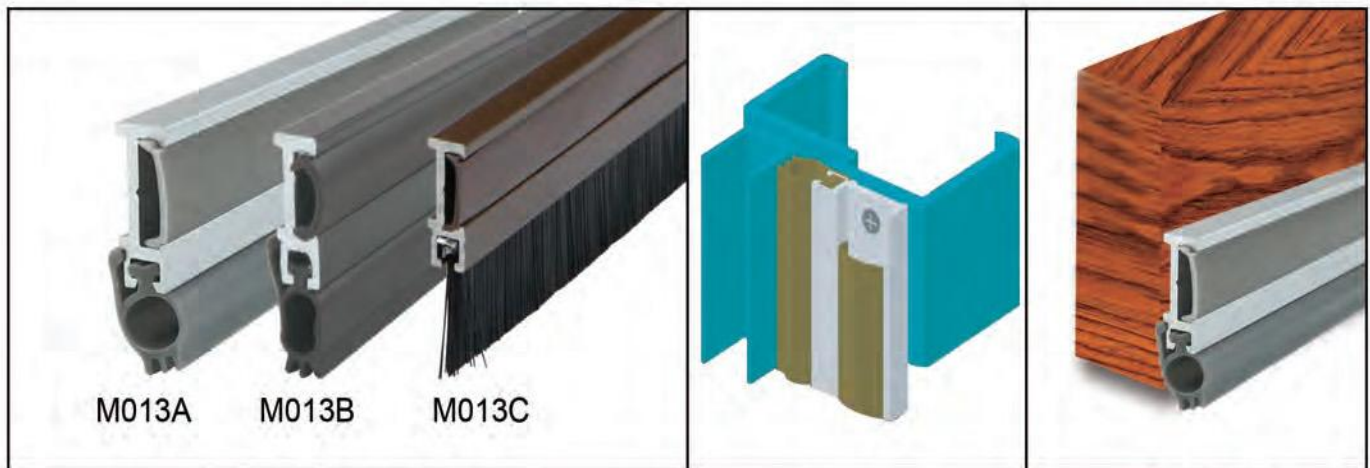
BH-M013B

BH-M013C

产品说明

1. 外壳采用6063铝材，固定采用螺丝固定。2. 密封胶条：选配硅橡胶或毛刷。3. 标准长度：1000mm、2400mm。

1. Using 6063 Aluminium frame, and stainless steel accessories, 2. Using silicone sealing strips. 3. Normal length: 1000mm and 2400mm



M013A

M013B

M013C

产品侧视图

门框安装效果

门底安装效果



Step 1

Step 2

Step 3

调整位置，确保密封条刚好顶住门扇或地板，填满缝隙。

Adjust the position, make sure the silicone strips or brushes seal the gaps completely.

拆下表面硅胶条，紧贴门框一边，用包装提供的螺丝从表面硅胶条拆下后的预留孔中固定。

Secure with screws.

上完螺丝固定完成后，盖回硅胶条。

Cover the screw parts by the covers. Make the appearance beautiful.

自粘式门底密封条

Self-adhesive door bottom seals

1. 主要功能：防尘、防风、挡光、隔音等。
 2. 安装方式：安装方便。安装时量好所需长度。用剪刀剪去多余部分，撕去背胶离型纸，将门底刷粘贴到门底部即可。
 3. 常规长度：1000mm。
 4. 颜色：棕色。
 5. 材质：PVC，上部贴胶固定部分为硬胶，下部密封缝隙部分为毛刷。
1. Function: Dust proof, Wind proof, Light proof, Soundproof and etc.
 2. Installation: Easy to install. Cut the length according to the door width, tear the back paper and stick it on the bottom of the door.
 3. Length: 1000mm
 4. Color: Brown
 5. Materials: PVC, top part is rigid PVC, bottom part is PP brush strips



产品说明

BH-M005 门底毛刷密封条
Self-adhesive door bottom brush seals



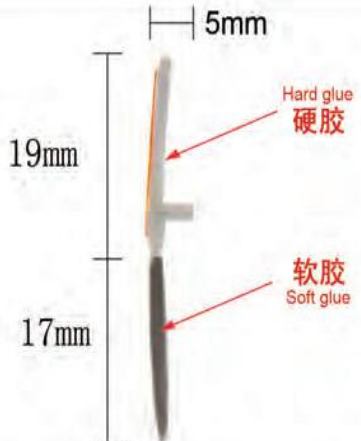
产品侧视图

安装效果图

Step 1	Step 2	Step 3	Step 4
<p>用干净抹布将门底边缘部擦拭干净 Clean the surface of the door bottom, make it clear and dry</p>	<p>裁剪一段已测量好所需长度密封条 Cut the length according to the door width</p>	<p>撕开背胶离型纸 Tears the back paper off</p>	<p>毛刷部分朝下轻触地面，对准水平位置贴上去，然后反复摁几次压紧即可 Make the brush lightly touch and level to the floor, and then press it and make it fully sticky on the door surface.</p>

自粘式门底密封条

Self-adhesive door bottom seals

<p>1. 主要功能：防尘、防风、挡光、隔音等。 2. 安装方式：安装方便。安装时量好所需长度。用剪刀剪去多余部分，撕去背胶离型纸将门底刷粘帖到门底部即可。 3. 常规长度：1000mm。 4. 颜色：棕色、灰白、透明。 5. 材质：PVC, 上部贴胶固定部分为硬胶，下部密封缝隙部分为软胶。</p> <p>1. Function: Dust proof, Wind proof, Light proof, Soundproof and etc. 2. Installation: Easy to install. Cut the length according to the door width, tear the back paper and stick it on the bottom of the door. 3. Length: 915mm 4. Color: Brown, Transparent and White with gray. 5. Materials: PVC, Co-extruded, top part is rigid PVC, bottom part is soft PVC</p>	
---	---





产品说明

BH-M004 软硬复合门底密封条
 Soft and hard PVC Co-extruded door bottom seals



产品侧视图

安装效果图

<p>Step 1</p> 	<p>Step 2</p> 	<p>Step 3</p> 	<p>Step 4</p> 
<p>用干净抹布将门底边缘部擦拭干净 Clean the surface of the door bottom</p>	<p>裁剪一段已测量好所需长度密封条 Cut the length according to the door width</p>	<p>撕开背胶离型纸 Tear the back paper off</p>	<p>软性PVC部分朝下轻触地面，对准水平位置贴上去，然后反复捋几次压紧即可 Make the soft part edge lightly touch the floor and level to the floor, and then press it and make it fully sticky on the door surface.</p>

自粘式门底密封条

Self-adhesive door bottom seals

<p>1. 主要功能：防尘、防风、挡光、隔音等。 2. 安装方式：安装方便。安装时量好所需长度。裁切多余部分后，撕去背胶离型纸将门底密封条粘到门底部即可。 3. 常规长度：1000mm。 4. 颜色：棕色、白色。 5. 材质：上部贴胶固定部分为硬质PVC，下部密封缝隙部分M006A为毛刷，M006B为软胶。</p> <p>1. Function: Dust proof, Wind proof, Light proof, Soundproof and etc. 2. Installation: Easy to install. Cut the length according to the door width, tear the back paper and stick it on the bottom of the door. 3. Length: 1000mm 4. Color: Brown, White 5. Materials: PVC, top part is rigid PVC, bottom part for BH-M006A is PP brush, for BH-M006B is soft PVC.</p>	 <p>(Brush)</p>	 <p>(PVC tape)</p>
--	---	---

产品说明

BH-M006A

BH-M006B



产品侧视图

安装效果图

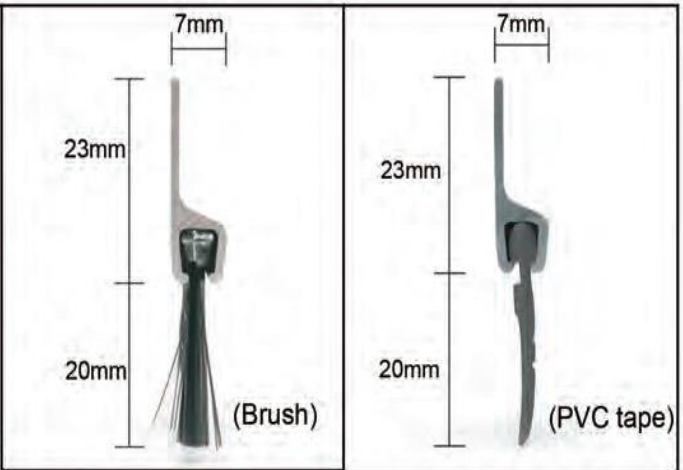
<p>Step 1</p> 	<p>Step 2</p> 	<p>Step 3</p> 	<p>Step 4</p> 
<p>测量门扇宽度，建议切割长度比实际门扇宽度小2毫米左右 Cut the length according to the door width, suggest to cut about 2mm shorter than the door width.</p>	<p>用湿布把粘贴表面擦拭干净，然后在干抹布把表面的水分擦去，保证表面干净、干燥、平整 Clean the surface of the door bottom, make it clear and dry</p>	<p>抽出毛刷，使用钳子剪切，防止脱毛。背胶板可用大剪刀、锯子或者斜嘴钳剪切 The brush can be pulled out and cutted by pliers, the PVC part can be cutted by scissors or saws.</p>	<p>撕掉背胶纸进行粘贴，粘贴后需要反复按压，保证背胶与粘贴面充分贴合 Tear the back paper off, make the bottom part edge lightly touch the floor and level to the floor, and then press it and make it fully sticky on the door surface.</p>

上螺丝型门底密封条

Screw type door bottom seals

1. 主要功能：防尘、防风、挡光、隔音等。
 2. 安装方式：安装方便。安装时量好所需长度。裁切多余部分后，用所配螺丝把铝合金固定到门底部即可。
 3. 常规长度：1000mm。
 4. 颜色：棕色、白色、钢色、香槟色。
 5. 材质：上部固定部分为铝合金，下部密封缝隙部分M008A为毛刷，M008B为软胶。
1. Function: Dust proof, Wind proof, Light proof, Soundproof and etc.
 2. Installation: Easy to install. Cut the length according to the door width, screw it on to the surface of the bottom of the door.
 3. Length: 1000mm
 4. Color: Brown, White, Silver, Champagne.
 5. Materials: Top part is aluminium alloy bottom part for BH-M008A is PP brush, for BH-M008B is soft PVC.

产品说明



BH-M008A

BH-M008B



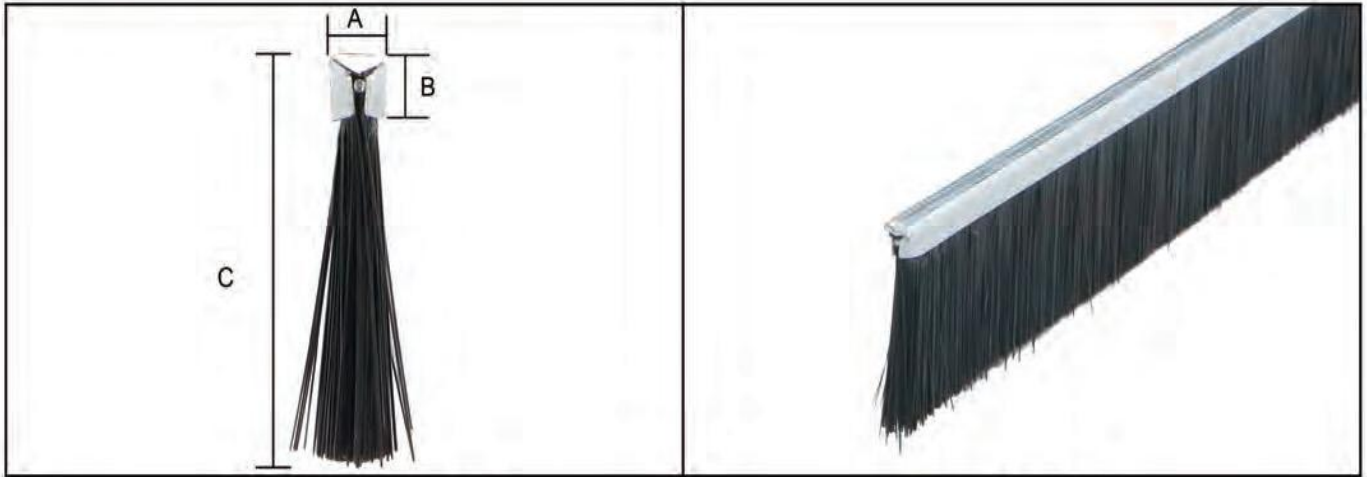
产品侧视图

安装效果图

<p>Step 1</p>	<p>Step 2</p>	<p>Step 3</p>	<p>Step 4</p>
<p>测量门扇宽度，建议切割长度比实际门扇宽度小2毫米左右 Cut the length according to the door width, suggest to cut about 2mm shorter than the door width.</p>	<p>用湿布把粘贴表面擦拭干净，然后在用干抹布把表面的水分擦去，保证表面干净、干燥、平整 Clean the surface of the door bottom, make it clear and dry</p>	<p>抽出毛刷，使用钳子剪切，防止脱毛。铝合金部分可用切割机裁切 The brush can be pulled out and cutted by pliers, the PVC tape can be cutted by scissors or saws. Aluminium part can be cutted by cutting machine.</p>	<p>用所配螺丝把铝合金固定到门底部即可。 Screw it on the door surface, make the bottom part edge lightly touch the floor and level to the floor, and then press it, make it fully sticky on the door surface.</p>

密封毛刷（条刷）

Brushes used for door or other items



毛刷 条刷 Brushes

产品侧视图



产品白底图

产品包装图

1. 主要功能：防尘、防风、挡光、隔音等。
2. 适用于电梯、门窗、家具、五金、各类线盒等。
3. 可选用的毛料：PP、尼龙。
4. 底座材质：电解板、不锈钢板。
5. 可生产的规格：底座宽(A)：3-15mm，底座高(B)：3-15mm，毛高度(C)：5-260mm。
6. 可植线径：PP、尼龙线径：0.1-1.0mm。
7. 常规现货：PP毛刷4*4*25*0.15*1000mm，黑色。

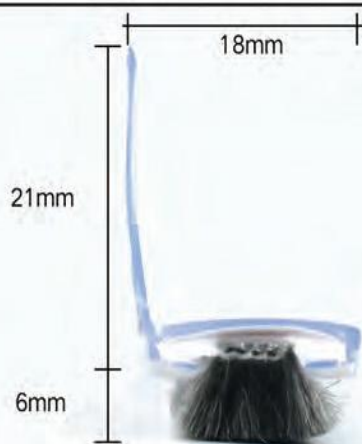
1. Function: Dust proof, Wind proof, Light proof, Soundproof and etc.
2. Apply to: Elevator, door, window, furniture and various wire boxes.
3. Brush material: PP, Nylon for option.
4. Base material: Electro-galvanized plate or Stainless steel plate
5. Size: Base width(A): 3-15mm, Base height(B): 3-15mm, Brush height(C): 5-260mm
6. The dia of the wire: 0.1-1.0mm for PP and nylon.
7. Regular stock: PP wire, size: 4(A)*4(B)*25(C)*0.15*1000mm, Black

自粘式门底门顶密封毛条

Self-adhesive door seals for top or bottom of the door

1. 主要功能：防尘、防风、挡光、隔音等。
2. 安装方式：安装方便，安装时量好所需长度，用剪刀剪去多余部分，将门底刷粘到门底部即可。
3. 常规长度：1000mm。
4. 颜色：硬胶部分为透明色。
5. 材质：上部贴胶固定部分为硬质PVC，下部密封缝隙部分、材料为硅化毛条。

1. Function: Dust proof, Wind proof, Light proof, Soundproof and etc.
2. Installation: Easy to install. Cut the length according to the door width, tear the back paper and stick it on the door.
3. Length: 1000mm
4. Color: Transparent
5. Materials: PVC, top part is rigid PVC, bottom part is PP brush strips.

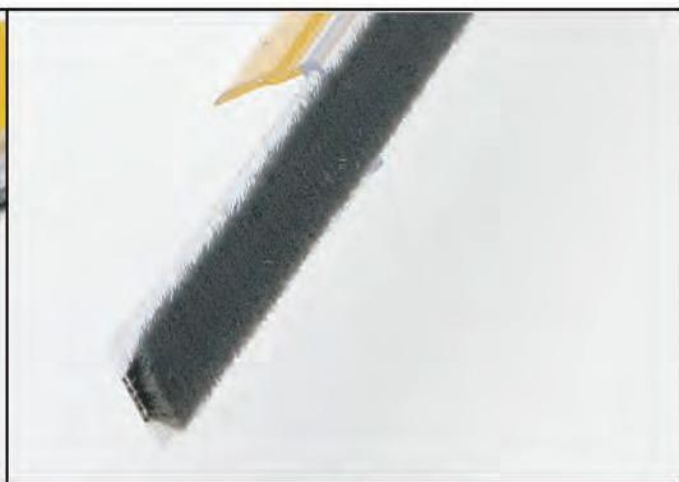


产品说明

BH-M017 自粘门底密封条



产品侧视图



可替换毛条



门顶安装效果图



门底安装效果图

卡槽式/螺丝紧固型门底门顶密封毛条

Groove type / Screw type door seals, used for the top or bottom of the door

1. 主要功能：防尘、防风、挡光、隔音等。
 2. 安装方式：安装方便，安装时量好所需长度，用剪刀剪去多余部分，将门底刷卡到门底部即可。
 3. 常规长度：1000mm。
 4. 颜色：硬胶部分为透明色。
 5. 材质：BH-M018上部卡槽固定部分为硬质PVC，下部密封缝隙部分、材料为硅化毛条。BH-M041上部为铝合金，下部为PP毛刷。
1. Function: Dust proof, Wind proof, Light proof, Soundproof and etc.
 2. Installation: Easy to install. Cut the length according to the door width, press or screw it on to the top or bottom of the door.
 3. Length: 1000mm
 4. Color: Transparent for BH-M018, aluminium for BH-M041.
 5. Materials: BH-M018 is Rigid PVC with PP brush strips
BH-M041 is Aluminium with PP brush.

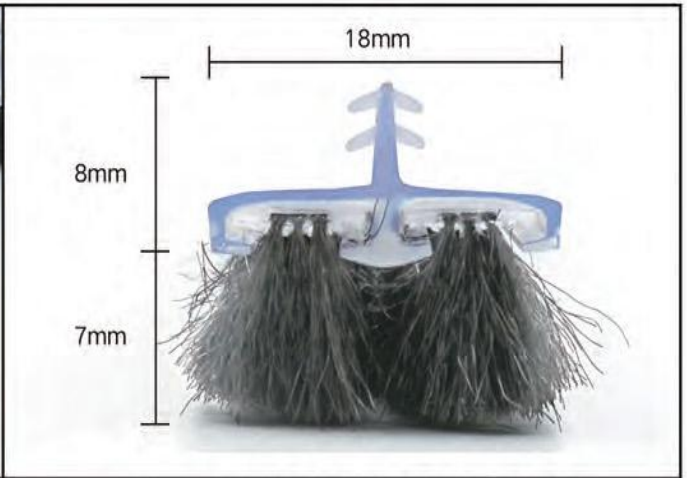


产品说明

安装效果图



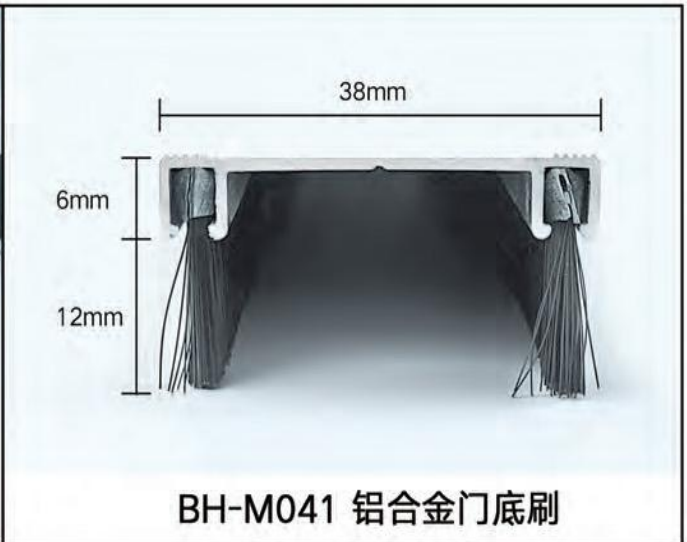
产品侧视图



BH-M018 卡槽式门底密封条



产品侧视图



BH-M041 铝合金门底刷